

Types	Ident No.	Heatsink	Noise dB(A)	Weight kg	Tamb max °C
<b>Axial fan</b>					
SKF 3-230-01	30031061	P1, P3	37	0,55	70
<b>Radial fans</b>					
SKF16A-230-01 <sup>3)</sup>	VE001300	P16	55 57	3,6	50 40
SKF16B-230-01 <sup>3)</sup>	30119362	P16	58 57	3,6	45 40
SKF17A-230-01	VE001900	P17	74	2,0	60
SKF17B-230-01	30138251	P17	73	2,8	70
SKFN4-230-01	VE001951	P18, N4	76	3,1	60
<b>Crossflow fans</b>					
QK08A-2EM-25-CF <sup>3)</sup>	VE001400		70 71	3,5	40
QK08A-2EM-35-CF <sup>3)</sup>	VE001500		70,4 71,1	4,0	40
QK10A-2DM-38-FE	VE001600		81,7	7,5	40
QK10A-2DM-38-FK	VE001701		87,7	8,0	40
QK10A-2DM-48-FK <sup>3)</sup>	VE001700		83,2 87,7	10,0	40
QK08A-2DM-68-FK <sup>3)</sup>	VE001800		83,3 84,2	10,0	40

## Fans



Types	V <sub>1</sub> (V <sub>VRMS</sub> ) <sup>1)</sup> V	f Hz	P1 W	I1 A	max V <sub>air</sub> / t m <sup>3</sup> /h	rpm min <sup>-1</sup>
<b>Axial fan</b>						
SKF 3-230-01	230 <sup>1)</sup>	50 60	15	0,12	159 190	2600
<b>Radial fans</b>						
SKF16A-230-01	230 <sup>2)</sup>	50 60	135 152	0,60 0,68	615 575	1300 1600
SKF16B-230-01	230 <sup>2)</sup>	50 60	160 185	0,71 0,83	610 550	1800 1730
SKF17A-230-01	230	50 60	81 115	0,36 0,51	850 950	2600 2900
SKF17B-230-01	230	50 60	140 194	0,62 0,89	1115 1260	2700 3000
SKFN4-230-01	230	50 60	155 230	0,69 0,98	1410 1540	2600 2900
<b>Crossflow fans</b>						
QK08A-2EM-25-CF	230	50 60	140 175	0,62 0,75	507 550	2540 2850
QK08A-2EM-35-CF	230	50 60	175 215	0,80 1,00	800 815	2400 2450
QK10A-2DM-38-FE	3 x 230/400	50	450	3 x 0,85	1360	2500
QK10A-2DM-38-FK	3 x 230/400	60	610	3 x 1,10	1640	3230
QK10A-2DM-48-FK	3 x 230/400	50 60	670 860	3 x 1,23 3 x 1,60	1880 2065	2730 3000
QK08A-2DM-68-FK	3 x 230/400	50 60	870 980	3 x 1,42 3 x 1,45	2600 2510	2630 3080

<sup>1)</sup> V<sub>1</sub> = 24 Vdc, 48 Vdc and 115 Vac are also available on request

<sup>2)</sup> V<sub>1</sub> = 115 Vac and 3 x 400 Vac are also available on request

<sup>3)</sup> 60 Hz

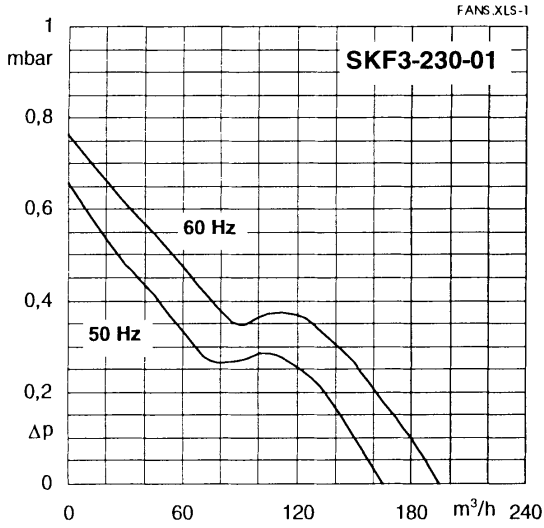


Fig. 1 Airflow vs. pressure drop

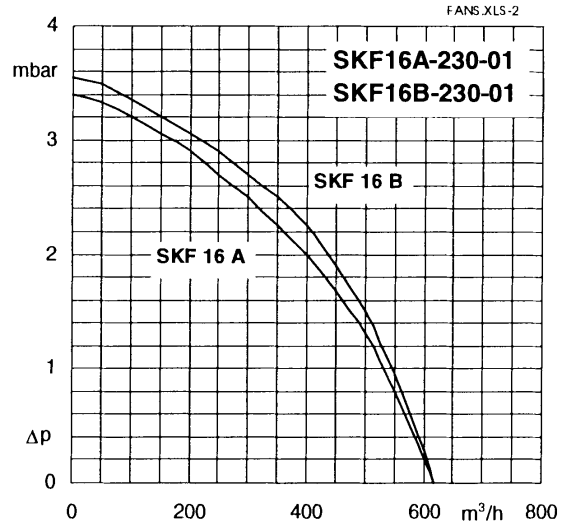


Fig.2 Airflow vs. pressure drop

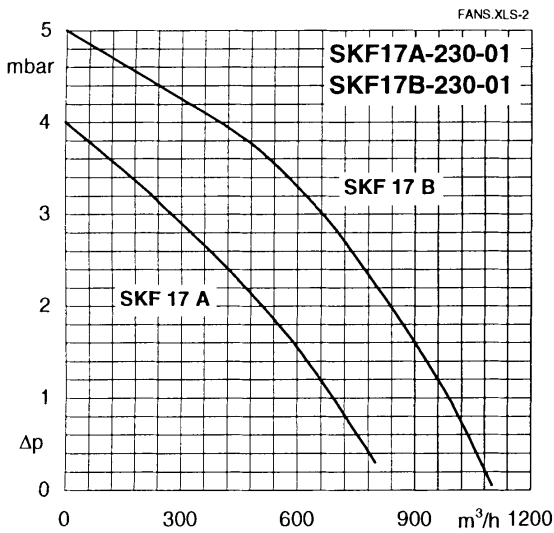


Fig. 3 Airflow vs. pressure drop

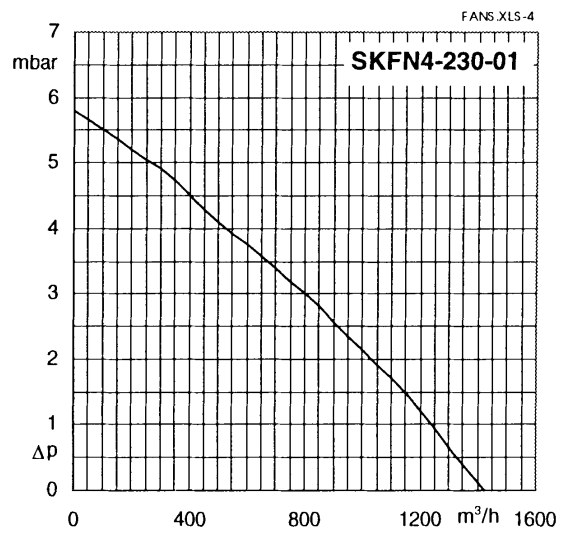


Fig.4 Airflow vs. pressure drop

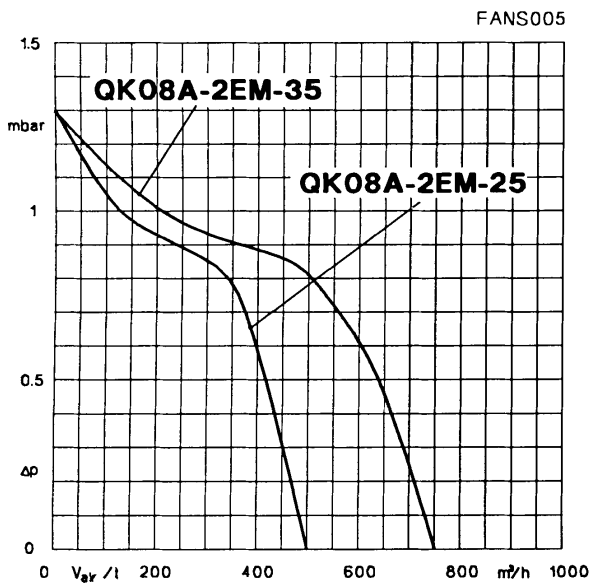


Fig. 5 Airflow vs. pressure drop

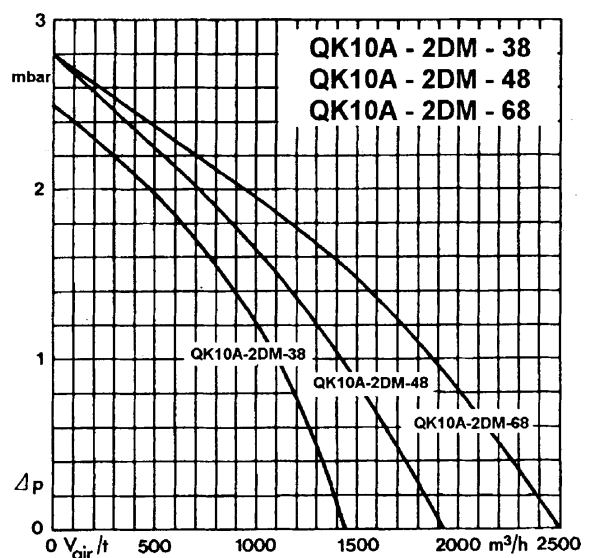
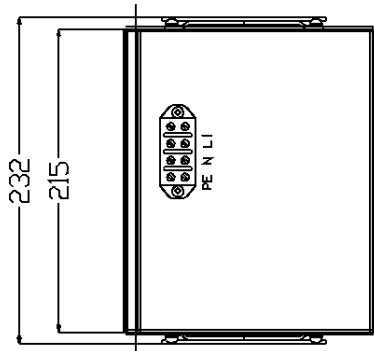
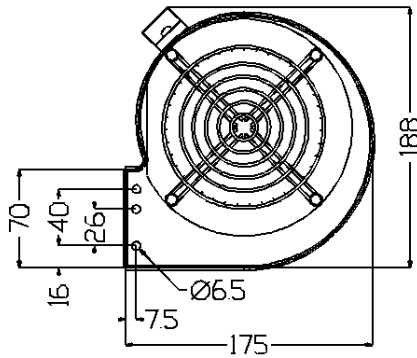
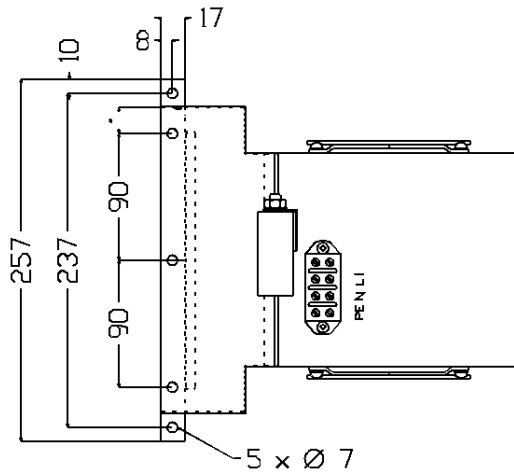
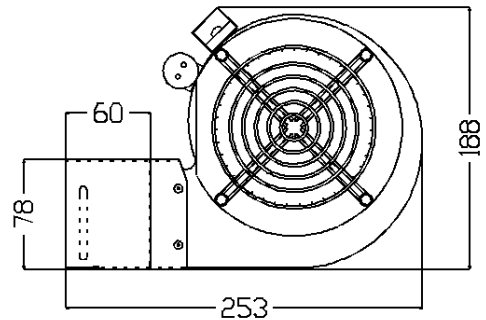


Fig. 6 Airflow vs. pressure drop

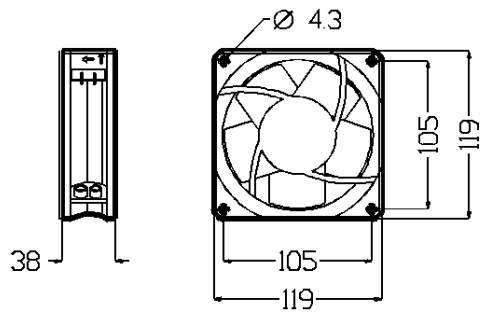
**SKF 16A**



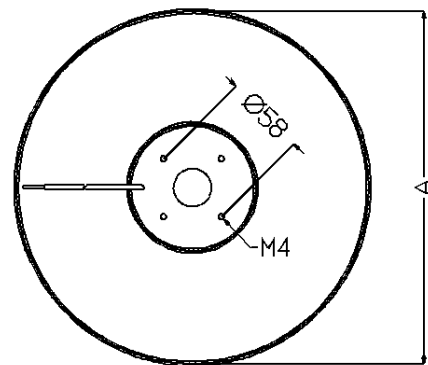
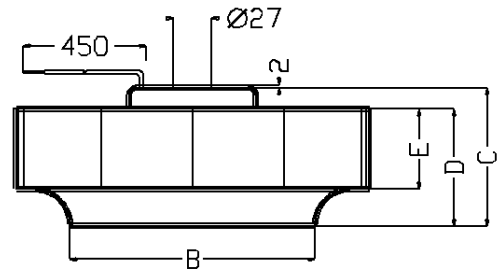
**SKF 16B**



**SKF 3**



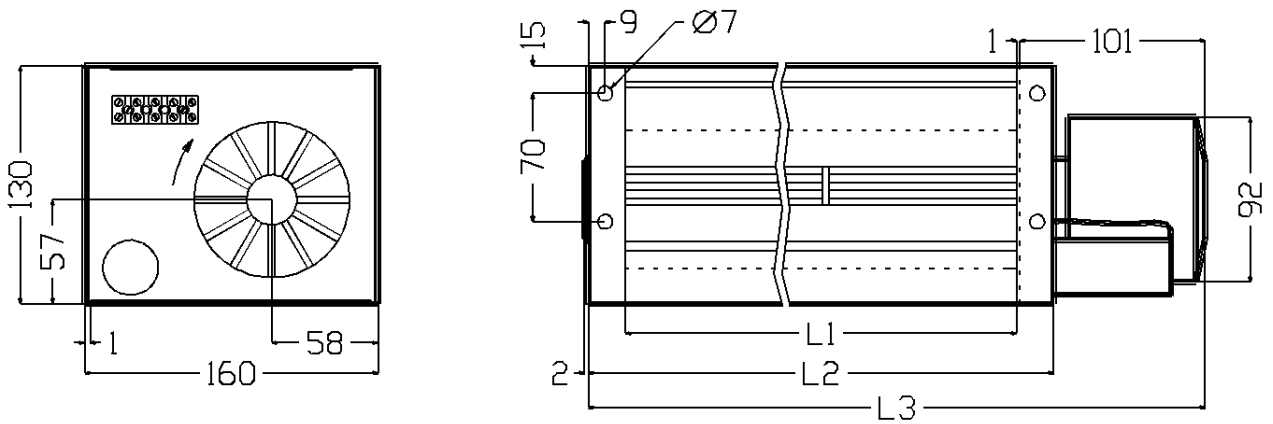
**SKF 17  
SKF N4**



	A	B	C	D	E
<b>SKF 17A</b>	220	159	71	63	45
<b>SKF 17B</b>	227	153	99	88	64
<b>SKF N4</b>	252	172	99	84	57

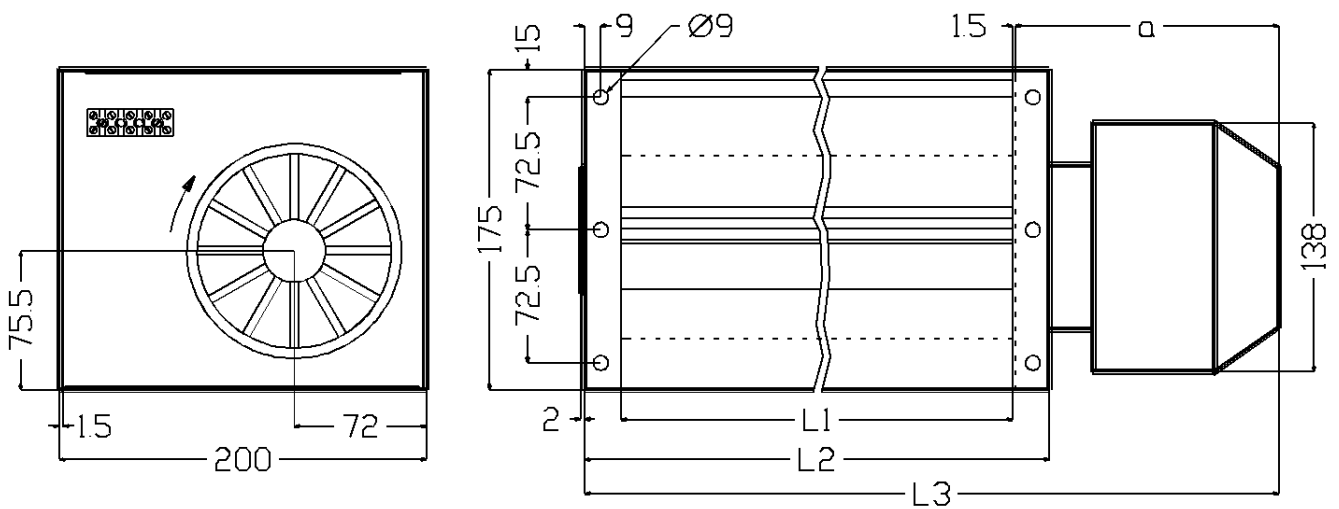
Dimensions in mm

**QK 08A**



Types	Ident No.	L1	L2	L3
QK08A-2EM-25-CF	VE001400	250	290	372
QK08A-2EM-35-CF	VE001500	350	390	472

**QK 10A**



Types	Ident No.	a	L1	L2	L3
QK10A-2DM-38-FE	VE001600	126	380	420	528
QK10A-2DM-38-FK	VE001701	146	380	420	548
QK10A-2DM-48-FK	VE001700	146	480	520	648
QK10A-2DM-68-FK	VE001800	146	680	720	848

Dimensions in mm