

MUFFIN® XL AC

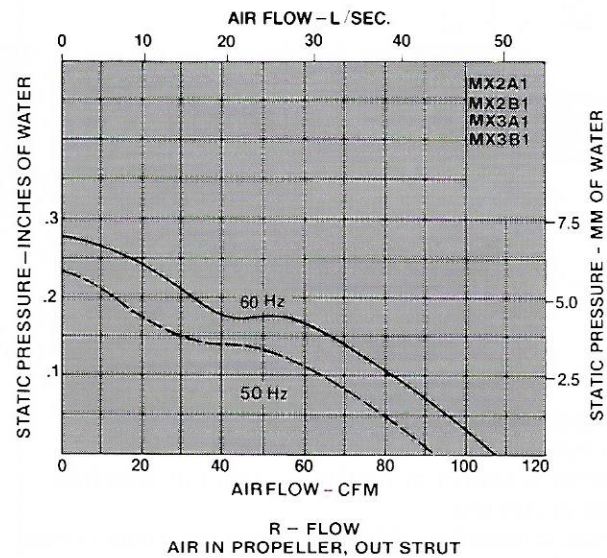
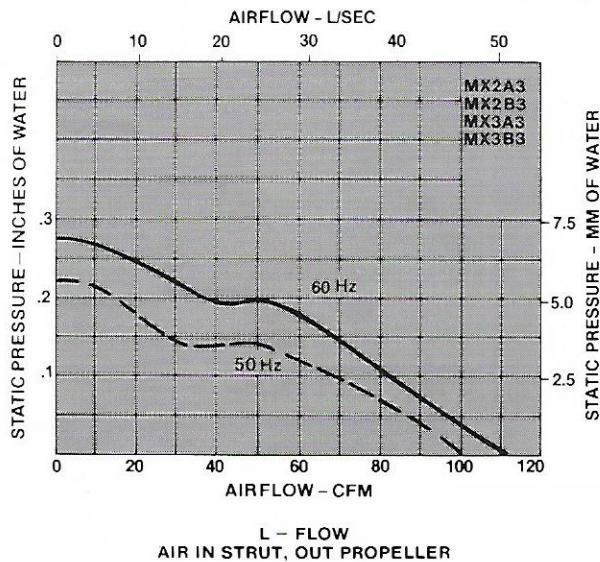
TUBEAXIAL FAN

FEATURES

- Size - 4.69" square x 1.54" deep (119.13 mm x 39.12 mm)
- 108 to 115 CFM (51.0 to 54.3 L/Sec.)
- 115 VAC or 220/230 VAC, 1 phase, 50/60 Hz
- Feathered Edge™ for lower noise levels
- Operating temperature range: -28°C to +70°C
- Weight - 21 oz. (.61 Kg)
- UL Yellow Card Recognized - File No. E31293 - all models
- CSA Certified - File No. LR52898 - all models
- VDE Marks License, No. 1126 - all models



PERFORMANCE

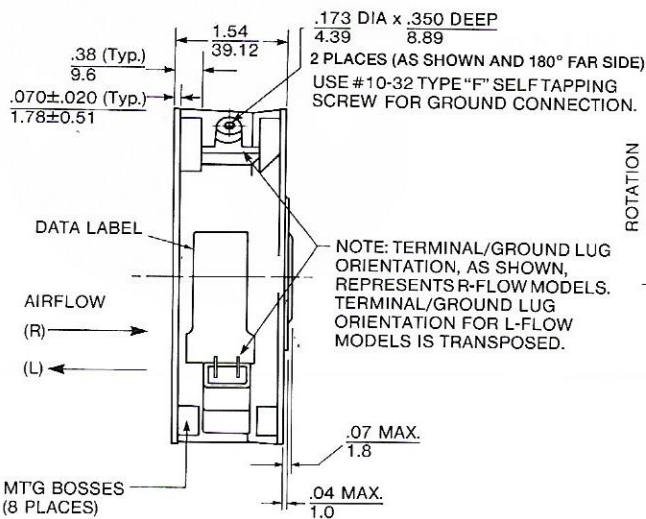


SPECIFICATIONS

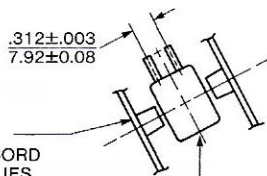
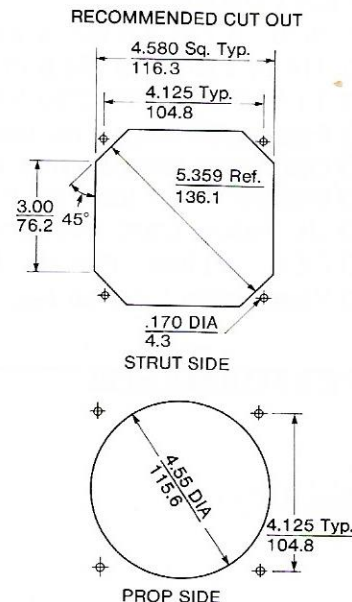
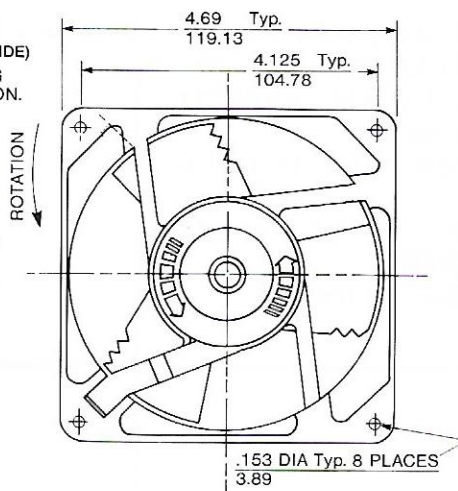
Model No.	Flow	Part No.	Bearing	Volts	Hz	Watts	Line Amps	Locked Rotor Amps	RPM	CFM	L/Sec.
*MX2A1	R	028318	Sleeve	115	50/60	17/15	.20/.18	.26/.24	2700/3100	92/108	43.4/51.0
*MX2B1	R	028420	Ball	115	50/60	17/15	.20/.18	.26/.24	2700/3100	92/108	43.4/51.0
*MX3A1	R	028326	Sleeve	220/230	50/60	17/16	.10/.09	.14/.12	2700/3100	92/108	43.4/51.0
MX3B1	R	028421	Ball	220/230	50/60	17/16	.10/.09	.14/.12	2700/3100	92/108	43.4/51.0
*MX2A3	L	028316	Sleeve	115	50/60	17/15	.20/.18	.26/.24	2700/3100	98/115	46.3/54.3
*MX2B3	L	028422	Ball	115	50/60	17/15	.20/.18	.26/.24	2700/3100	98/115	46.3/54.3
*MX3A3	L	028324	Sleeve	220/230	50/60	17/16	.10/.09	.14/.12	2700/3100	98/115	46.3/54.3
*MX3B3	L	028423	Ball	220/230	50/60	17/16	.10/.09	.14/.12	2700/3100	98/115	46.3/54.3

* Distributor Item.

All figures are nominal free delivery value at sea level.



WILL ACCOMMODATE #550113
BLIND MOUNTING CLIPS FOR USE
WITH #6-32 MACHINE SCREW.



WILL FIT
PLUG & CORD
ASSEMBLIES
#550440 & 428056
OR AMP 110 SERIES
RECEPTACLES OR
EQUIVALENT

SOLDER TERMINALS
EXTEND THIS SIDE
FOR L-FLOW MODELS.

TERMINALS

.120±.002 WIDE
 3.05±0.05
 .020±.001 THICK
 0.51±0.03
 .300±.025 LONG
 7.62±0.64

DIMENSIONS: $\frac{\text{in}}{\text{mm}} \pm$
 TOLERANCES: .xx= .03
 .08
 .xxx=.010
 (UNLESS NOTED) .25

Specifications subject to change without notice.

MOTOR

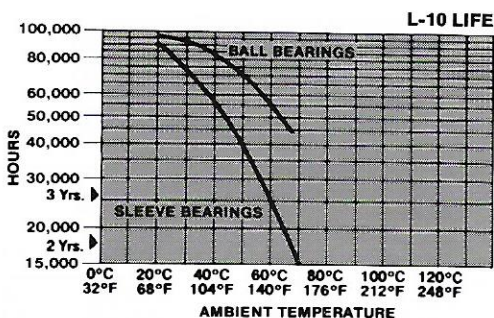
Two-pole shaded pole induction motor.
Insulation system UL recognized Class B.
Sintered bronze sleeve or stainless steel ball bearings.
100% dielectric tested at 1800 VAC/1 sec./500 microamps
maximum leakage.
Impedance protected.

CONSTRUCTION

Venturi and Spider - zinc alloy, painted black.
Propeller - flame retardant polypropylene with patented
Feathered Edge™.

LIFE EXPECTANCY

The curve represents the continuous duty life of Muffin XL
fans at a given temperature, after which 90% of the units
will still be operating.



EXAMPLE: When run in 40°C ambient, 90% of sleeve
bearing units will still be running after 55,000 hours
continuous duty.

ACOUSTIC RATINGS

Models	HZ	AIR FLOW		STATIC PRESSURE		PER INCE ANSI S12.11-1987			FREELY SUSPENDED @ 1 METER
		CFM	L/Sec	"w.g.	mm H ₂ O	PSIL	SPL dBA @ 3'	NEPL Bels 'A'	dBA
MX2A1 MX3A1	50	92	43.4	0	0	42.5	47.7	5.77	43.8
		59	27.8	0.105	2.67	41.5	46.6	5.66	
MX2A3 MX3A3	60	108	51.0	0	0	45.0	50.8	6.08	47.9
		68	32.1	0.13	3.30	43.8	49.5	5.95	
		98	46.3	0	0	45.3	52.2	6.22	45.6
MX2B1 MX3B1	50	61.3	28.9	0.11	2.79	41.8	47.4	5.74	
		115	54.3	0	0	50.0	56.2	6.62	50.0
		68.1	32.1	0.15	3.81	44.3	49.9	5.99	
MX2B3 MX3B3	60	92	43.4	0	0	42.8	48.2	5.82	44.8
		58	27.4	0.115	2.92	41.0	46.3	5.63	
		108	51.0	0	0	46.0	51.4	6.14	48.7
MX2B3 MX3B3	50	63	29.7	0.15	3.81	44.5	49.7	5.97	
		98	46.3	0	0	45.5	52.1	6.21	45.7
		42.4	20.0	0.13	3.30	42.0	48.2	5.82	
MX2B3 MX3B3	60	115	54.3	0	0	49.6	55.1	6.51	49.3
		67.6	31.9	0.16	4.06	45.5	50.9	6.09	

OPTIONS

Capable of furnishing:
 .187 terminals
 Harness assemblies
 Leadwire versions