

MUFFIN® DC

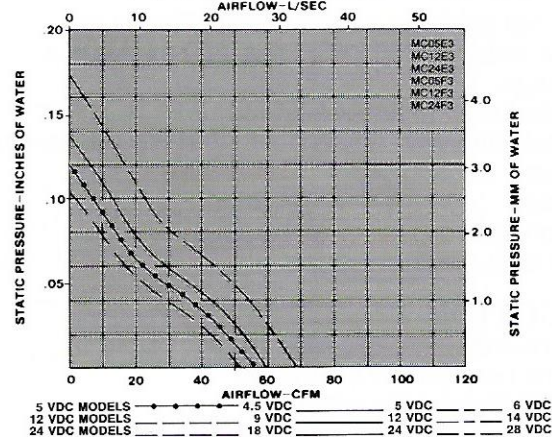
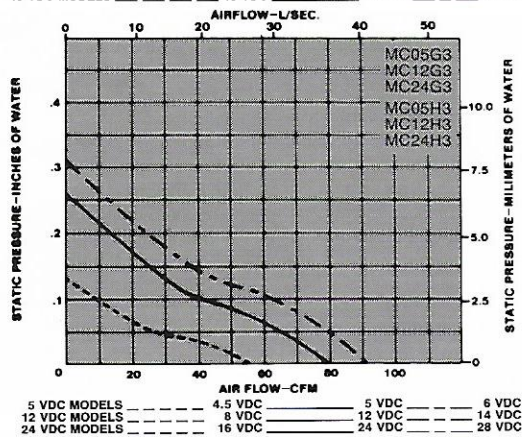
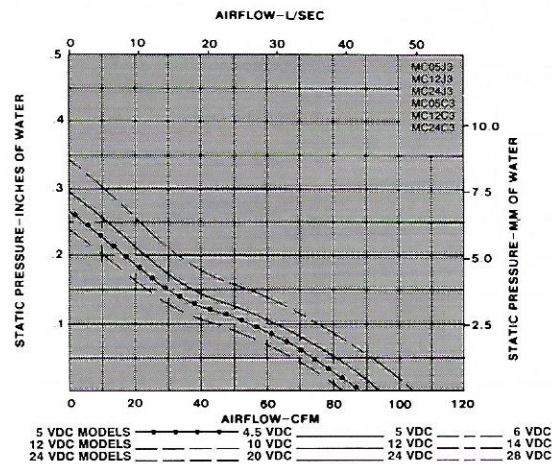
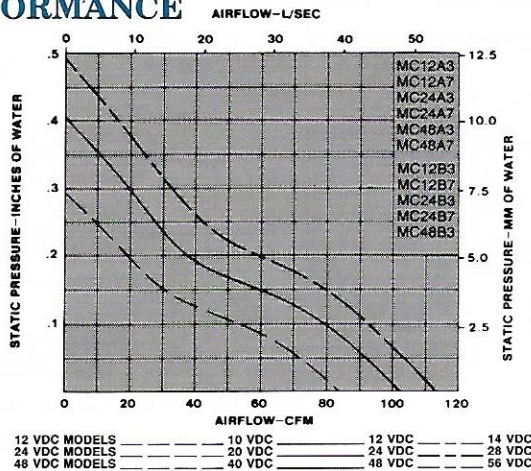
BRUSHLESS DC FAN

FEATURES

- Size - 4.73" square x 1.26" deep (120 mm x 32 mm)
- 50 to 112 CFM (24 to 48.1 L/Sec.)
- 5, 12, 24 or 48 VDC (Nominal)
- High reliability ball or sleeve bearing
- Low noise level
- Operating temperature range: -10° to +70°C
- Weight - 8.5 oz. (.24 Kg)
- UL Yellow Card Recognized - File No. E31293
- CSA Certified - File No. LR52898
- TUV Certified - EN 60950



PERFORMANCE

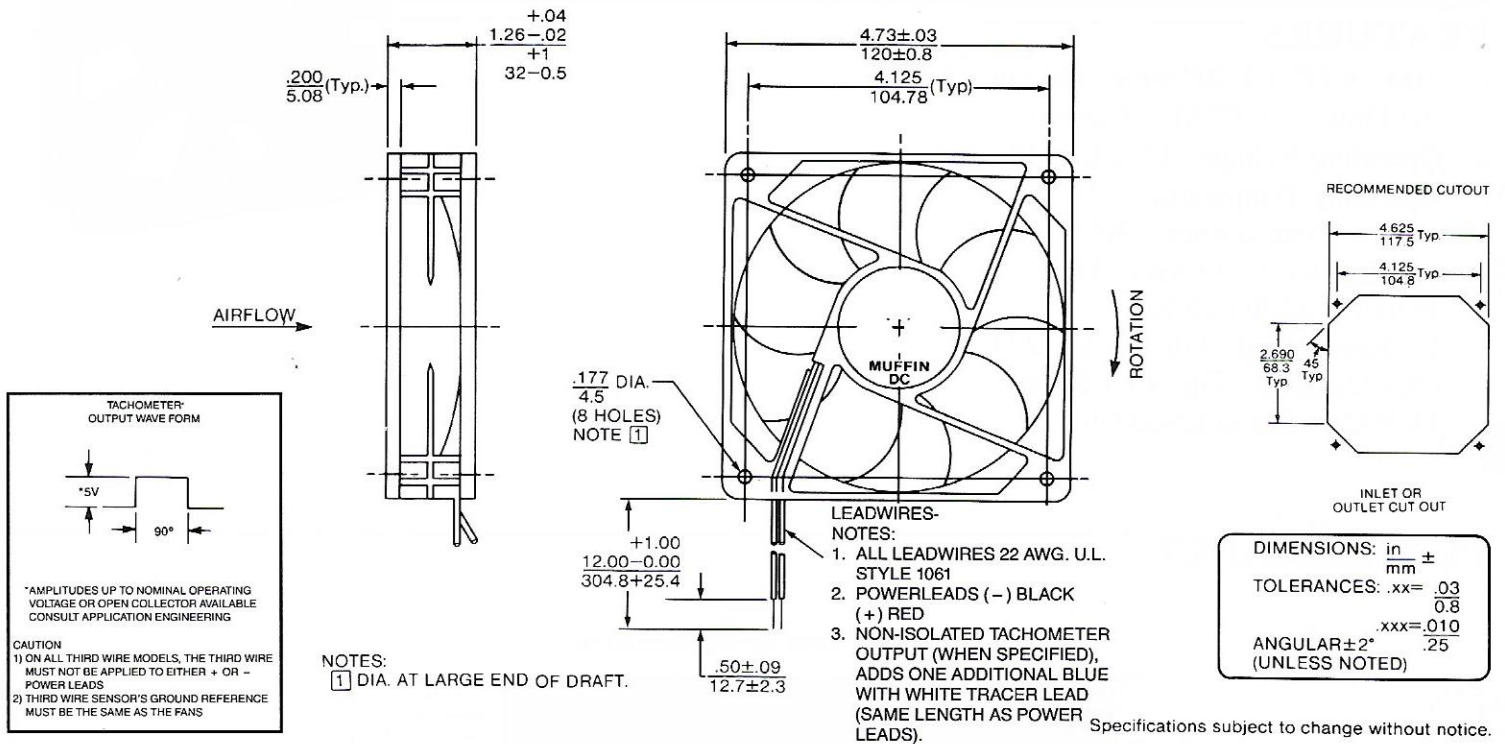


SPECIFICATIONS

SLEEVE BEARINGS		BALL BEARINGS		Nominal VDC	Range VDC	Watts	Running Current mA	Locked Rotor mA	Inrush Current mA	RPM	CFM	L/Sec.
Model No.	Part No.	Model No.	Part No.									
*MC12A3	032207	*MC12B3	032489	12	6-14	7.9	660	1300	1300	3700	102	48
†MC12A7	032228	†MC12B7	030598	12	6-14	7.9	660	1300	1300	3700	102	48
*MC24A3	032208	*MC24B3	030572	24	12-28	6.7	280	700	700	3700	102	48
†MC24A7	032244	†MC24B7	030599	24	12-28	6.7	280	700	700	3700	102	48
MC48A3	032242	*MC48B3	030573	48	22-56	9.6	200	350	350	3700	102	48
*MC05J3	030832	MC05C3	030835	5	4.5-6.0	3.8	750	2300	2300	3250	91	43
*MC12J3	032167	MC12C3	030574	12	6-14	6.6	550	1030	1030	3250	91	43
MC24J3	032168	*MC24C3	030575	24	12-28	5.5	230	550	550	3250	91	43
MC05G3	030833	MC05H3	030836	5	4.5-6.0	3.8	750	1800	1800	2850	80	38
*MC12G3	032141	MC12H3	030576	12	6-14	3.8	320	640	640	2850	80	38
MC24G3	032143	*MC24H3	030577	24	12-28	4.0	170	430	430	2850	80	38
MC05E3	030834	MC05F3	030837	5	4.5-6.0	1.8	350	350	950	2150	58	27
*MC12E3	032140	*MC12F3	030578	12	6-14	2.2	180	400	400	2150	58	27
*MC24E3	032142	*MC24F3	030579	24	12-28	2.1	85	200	200	2150	58	27

*Distributor Item

All figures are nominal delivery values at sea level
 † Tachometer output models



MOTOR

Brushless electronic commutation provided by dependable solid state circuitry.
Sintered bronze sleeve or stainless steel ball bearings.
100% dielectric tested at 600 VAC/1 sec./500 microamps maximum leakage.
Electronic locked rotor protection (P.T.C.) or impedance protection.
Automatic restart capability.
Polarity protected.

CONSTRUCTION

Venturi-Glass filled nylon, black, meeting UL94V-0 flammability rating.
Propeller - Injection molded polypropylene, black, meeting UL94V-0 flammability rating.

ACOUSTIC RATINGS

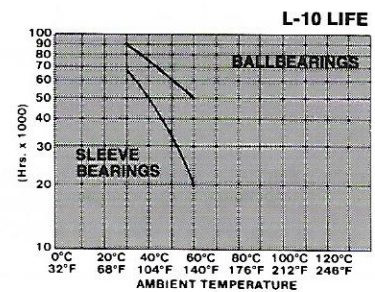
Models	VOLTAGE	AIR FLOW		STATIC PRESSURE		PER INCE ANSI S12.11-1987			FREELY SUSPENDED @ 1 METER				
		CFM	L/Sec	"w.g.	mm H ₂ O	PSIL dB	SPL dBA @ 3'	NEPL Beis 'A'		dBA			
MC12A3 MC24A3 MC48A3 MC12B3 MC24B3 MC48B3	NOMINAL	102	47.8	0	0	45.8	51.8	6.18	47.8				
MC05J3 MC12J3 MC24J3 MC05C3 MC12C3 MC24C3		NOMINAL	75	35.4	0.100	2.54	45.1	50.6	6.06				
MC05G3 MC12G3 MC24G3 MC05H3 MC12H3 MC24H3			NOMINAL	91	43.6	0	0	44.2	51.1	6.11	46.4		
MC05E3 MC12E3 MC24E3 MC05F3 MC12F3 MC24F3				NOMINAL	58.3	27.5	0.111	2.82	40.7	48.0	5.80		
					NOMINAL	80	38.1	0	0	42.7	48.5	5.85	41.9
						NOMINAL	41.9	19.8	0.102	2.59	32.2	45.1	5.51
	NOMINAL						58	29.7	0	0	35.1	41.7	5.17
		NOMINAL					43	20.3	0.500	12.70	33.1	39.6	4.96

OPTIONS

Tachometer output- square wave output equal to two pulses per revolution. Various amplitudes available.
Fan Performance Sensor Options (FPS)
Harness assemblies
6-32 Threaded inserts
ThermaPro-V:
Thermal Speed Control
Programmable
Voltage Regulated.

LIFE EXPECTANCY

The curve represents the continuous duty life of Muffin DC fans at a given temperature, after which 90% of the units will still be operating.



EXAMPLE: When a ball bearing unit is run at 40°C ambient, 90% of the units will still be running after 78,000 hrs. continuous duty.