

MUFFIN[®] AC

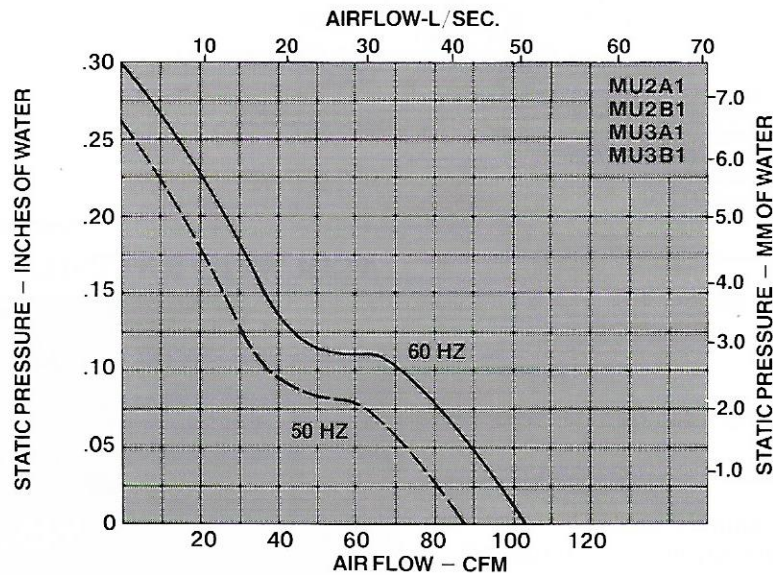
TUBEAXIAL FAN

FEATURES

- Size - 4.71" square x 1.50" deep (119.6 mm x 38.1 mm)
- 105 CFM (49.6 L/Sec.)
- 115 VAC or 220/230 VAC, 1 phase, 50/60 Hz
- Low noise level
- Operating temperature range: -28°C to +70°C
- Weight - 17.2 oz. (.49 Kg)
- UL Yellow Card Recognized - File No. E31293 - all models
- CSA Certified - File No. LR52898 - all models



PERFORMANCE

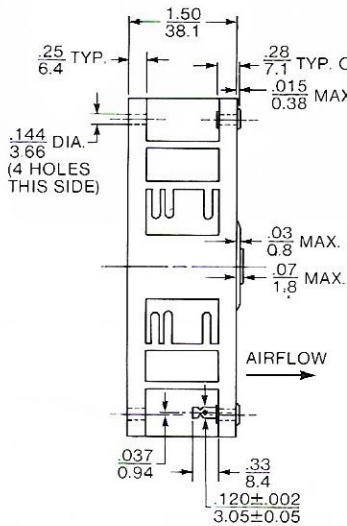


SPECIFICATIONS

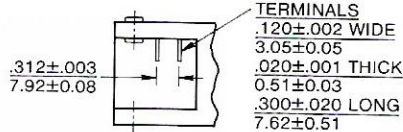
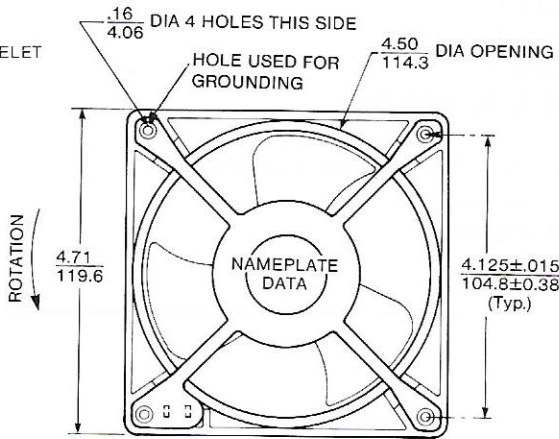
Model No.	Part No.	Bearing	Volts	Hz	Watts	Line Amps	Locked Rotor Amps	RPM	CFM	L/Sec.
*MU2A1	028021	Sleeve	115	50/60	15/14	.19/.16	.26/.24	2650/3100	88/105	41.5/49.6
*MU2B1	028027	Ball	115	50/60	15/14	.19/.16	.26/.24	2650/3100	88/105	41.5/49.6
*MU3A1	028023	Sleeve	220/230	50/60	15/14	.10/.09	.14/.12	2650/3100	88/105	41.5/49.6
*MU3B1	028029	Ball	220/230	50/60	15/14	.10/.09	.14/.12	2650/3100	88/105	41.5/49.6

* Distributor Item.

All figures are nominal free delivery values at sea level.

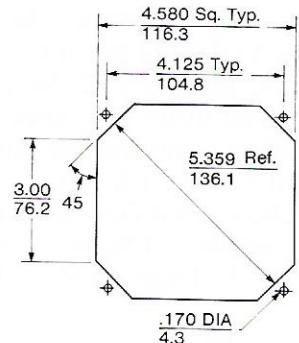


WILL ACCOMMODATE
477663 (FLUSH) OR 477670
(STANDOFF) MOUNTING CLIPS
WITH #6-32 MACHINE SCREW

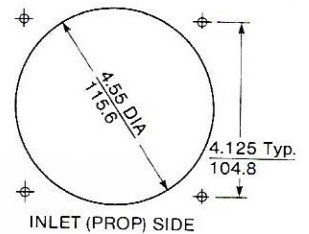


TERMINALS
.120±.002 WIDE
3.05±0.05
.020±.001 THICK
0.51±0.03
.300±.020 LONG
7.62±0.51
(WILL FIT PLUG AND
CORD ASSEMBLY #428056)

RECOMMENDED CUT OUT



OUTLET (STRUT) SIDE



INLET (PROP) SIDE

DIMENSIONS: in ± mm
TOLERANCES: .xx= .03
 .08
 .xxx=.010
(UNLESS NOTED) .25

Specifications subject to change without notice.

MOTOR

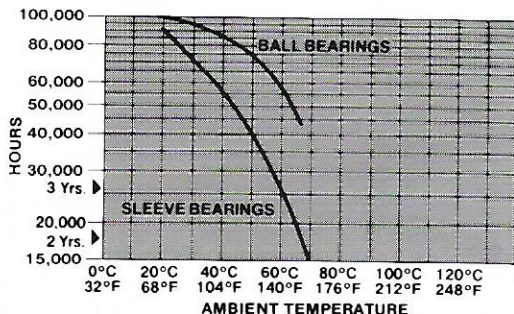
Two-pole shaded pole induction motor.
Insulation system UL recognized Class B
Sintered bronze sleeve or stainless steel ball bearings.
Impedance protected.
100% dielectric tested at 1800 VAC/1 sec./500 microamps
maximum leakage.

CONSTRUCTION

Venturi - flame retardant black phenolic.
Spider - zinc alloy, painted black.
Propeller - flame retardant black polypropylene.

LIFE EXPECTANCY

The curve represents the continuous duty life of Muffin fans at a given temperature after which 90% of the units will still be operating.



EXAMPLE: When run in 40°C ambient, 90% of sleeve bearing units will still be running after 55,000 hours continuous duty.

ACOUSTIC RATINGS

Models	HZ	AIR FLOW		STATIC PRESSURE		PER INCE ANSI S12.11-1987			FREELY SUSPENDED @ 1 METER
		CFM	L/Sec	"w.g.	mm H ₂ O	PSIL dB	SPL dBA @ 3'	NEPL Bels 'A'	dBA
MU2A1	50	88	41.5	0	0	37.9	44.2	5.42	40.2
		60.7	28.7	0.075	1.90	38.3	44.7	5.47	
MU3A1	60	105	49.6	0	0	40.9	46.6	5.66	43.4
		71	33.5	0.100	2.54	40.1	47.2	5.72	
MU2B1	50	88	41.5	0	0	39.0	45.2	5.52	40.9
		62	29.3	0.078	1.98	38.8	45.0	5.50	
MU3B1	60	105	49.6	0	0	43.1	49.4	5.94	45.1
		75	35.4	0.100	2.54	42.0	48.7	5.87	

OPTIONS

Capable of furnishing:
Harness assemblies
Reverse flow models