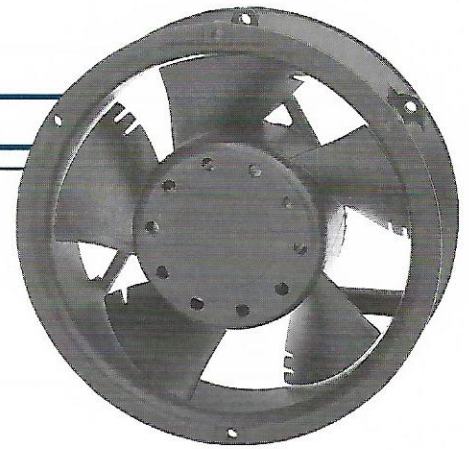


FALCON[®] DC

BRUSHLESS DC FAN

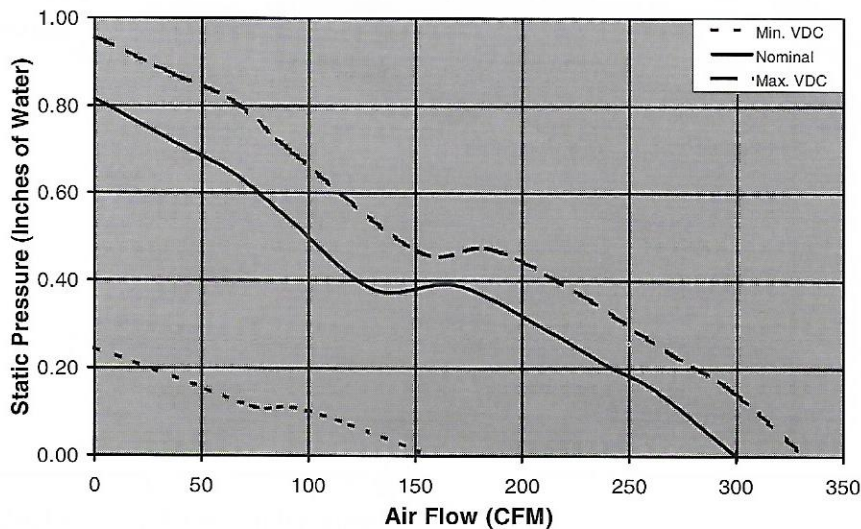
FEATURES

- Size: 6.75" x 2.165" deep (171.5mm x 55mm)
- Air Flow: 300 CFM (141 L/sec)
- Operating Voltage: 12, 24, & 48 vdc
- Operating Temperature: -10°C to +70°C
- Storage Temperature: -40°C to 85°C
- Feathered Edge™ for Lower Noise
- 12" Leadwires: 22AWG, UL
- Weight: 1.84 lb (.84 Kg)
- UL Recognized - File No. E31293
- CSA Certified - File No. L52898
- TUV Certified to EN60950



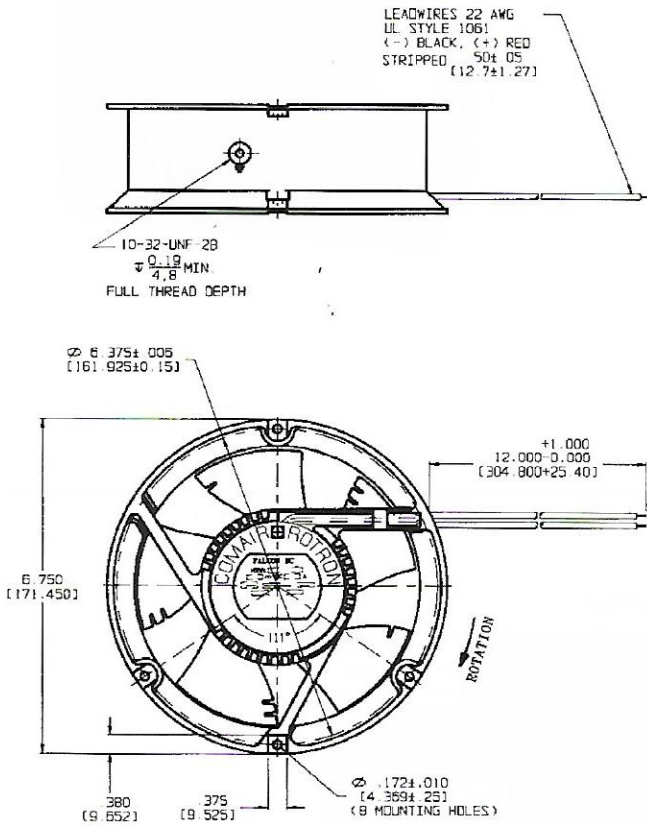
PERFORMANCE

3400 RPM Fan Performance

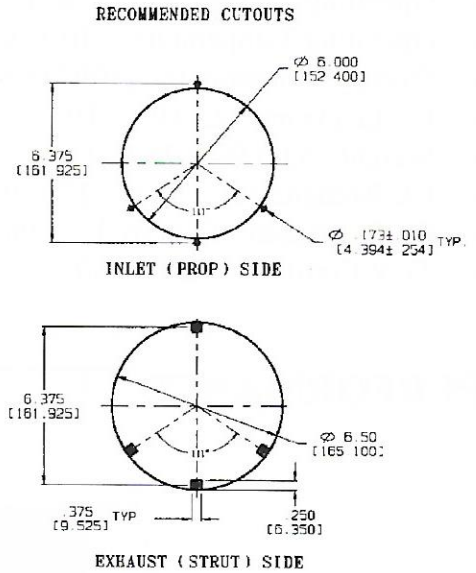
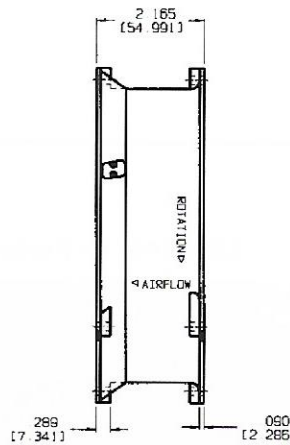


SPECIFICATIONS

Model No.	Part No.	Voltage Nominal (VDC)	Voltage Range (VDC)	Power (watts)	Running Current (amps)	Locked Rotor Current (amps)	RPM	CFM	L/Sec.	Noise (dBA)
FD12B3	031654	12	6 - 14	36.0	3.000	5.000	3400	300	141	57.1
FD24B3	031653	24	12 - 28	35.5	1.480	3.500	3400	300	141	57.1
FD48B3	031652	48	24 - 56	34.5	.720	1.300	3400	300	141	57.1



DIMENSIONS: IN ±
TOLERANCES: XX= 0.03
XXX 0.10
ANGULAR 45°
(UNLESS NOTED)



MOTOR

- Brushless Electronic Commutation Provided by Dependable Solid State Circuitry
- Ball Bearings
- 100% Dielectric Tested
- Electronic Locked Rotor Protection
- Automatic Reset Capability
- Polarity Protected

CONSTRUCTION

- Venturi - Single Piece Diecast Aluminum, Black
- Propeller - Polycarbonate, Black, UL94V-0 rated

LIFE EXPECTANCY

L10 Data - 76,000 hours @ 40°C

EMI

- Designed to meet EMI Standards per FCC part 15, Subpart J of Docket 20780, Class A & B, radiated and conducted emissions; and VDE Specifications 0871/6.78 for category A and B requirements.

OPTIONS

- Thermal Speed Control
- Programmable Speed Control
- Voltage Regulation
- Tachometer Output - square wave output equal to two pulses per revolution
- Various Fan Performance Sensor Options (FPS)
- Harness Assemblies
- Other Speeds Available